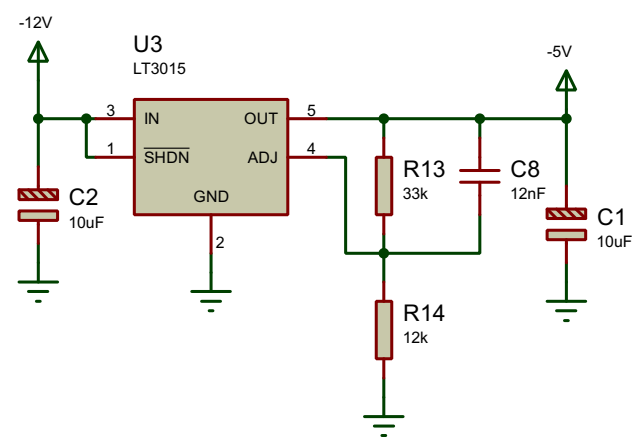
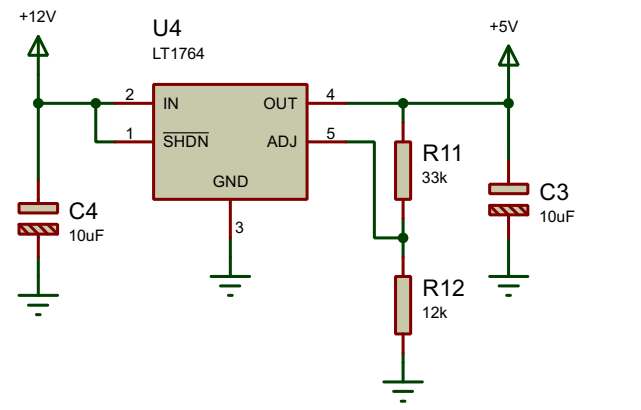
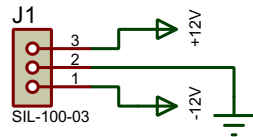
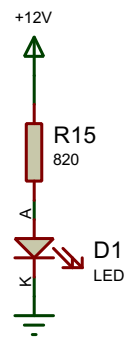
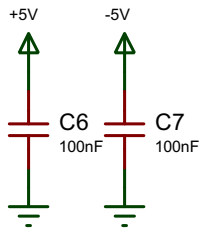
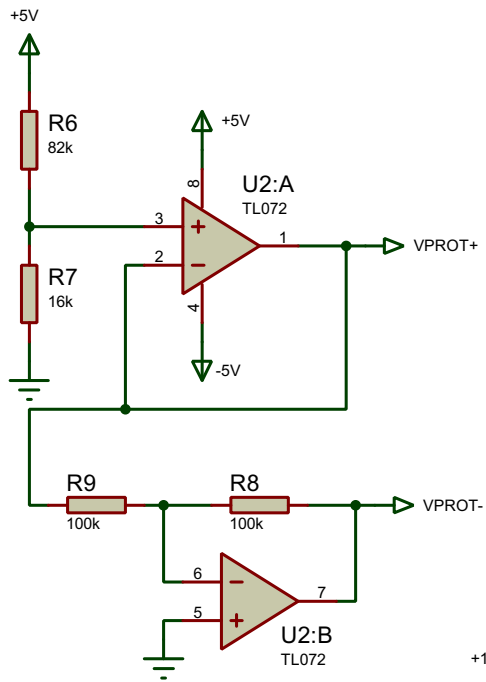


Impedance Converter

FILE NAME:	Oscilloscope Impedance Converter Full.pdscr	PAGE:	1
DESIGN TITLE:	Impedance Converter	REV:	1
PATH:	Impedance Converter Oscilloscope Impedance Converter Full.pdscr	TIME:	3:17:15 PM
BY:	Joseph A. Zammit		



FILE NAME:	Oscilloscope Impedance Converter Full.pdscr	PAGE:	2
DESIGN TITLE:	Impedance Converter	REV:	1
PATH:	Power Supply & Voltage Limit	TIME:	3:17:15 PM
BY:	Joseph A. Zammit		