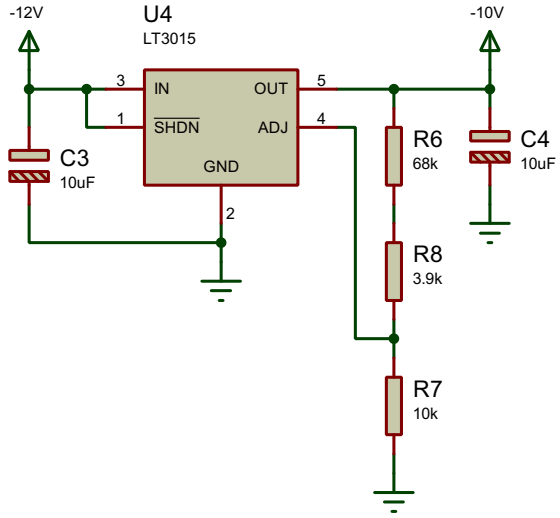
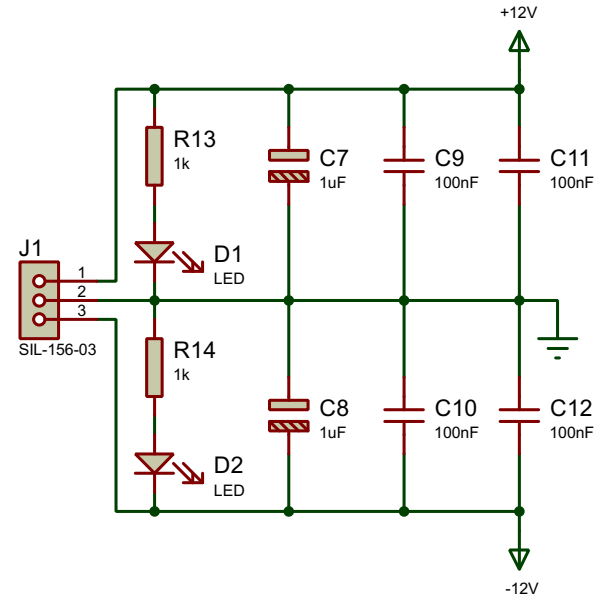


TITLE:		DATE:	
Precision Amplifier		27-Aug-18	
Amplifier		PAGE:	
BY: Joseph A. Zammit	REV: 1	1/2	

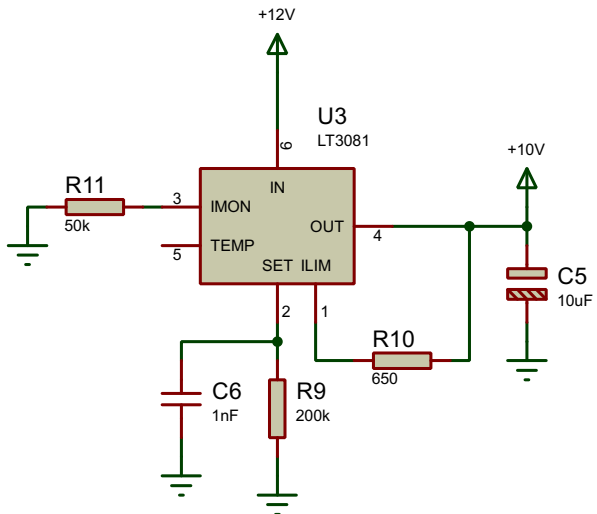
Negative Regulator



Connectors



Positive Regulator



TITLE:	DATE:
Precision Amplifier	27-Aug-18
Power Supply	PAGE:
BY: Joseph A. Zammit	2/2
REV: 1	